

HELI

中国合力 提升未来

CPCD120-160 G系列12-16吨内燃平衡重式叉车

G series Internal Combustion Counterbalanced Forklift Truck



A. 持久耐用 Enduring and durable

- > 牢固耐用的结构设计 Durable structure design
- > 便捷高效的点检维护 Easy and high efficient daily inspection
- > 防护性能提升 Improved protection performance
- > 冷却效率提升 Improved cooling efficiency

B. 环保节能 ENERGY-SAVING

- > 高效匹配 动力强劲 High efficient matching, forceful power
- > 液压负载变量控制系统 Hydraulic dynamic load variable control system
- > 智能敏感热管理系统 Intelligent sensitive thermal management system
- > 轻量化设计 Light type design

C. 舒适便捷 COMFORTABLE AND CONVENIENT

- > 上下车便捷 Easy get on-off
- > 更小的转弯半径 Smaller turning radius
- > 门架下缓冲 Mast lower buffering
- > 极佳的视野 Superior view
- > 更舒适的驾驶体验 More comfort driving experience

D. 安全高效 SAFE AND EFFICIENT

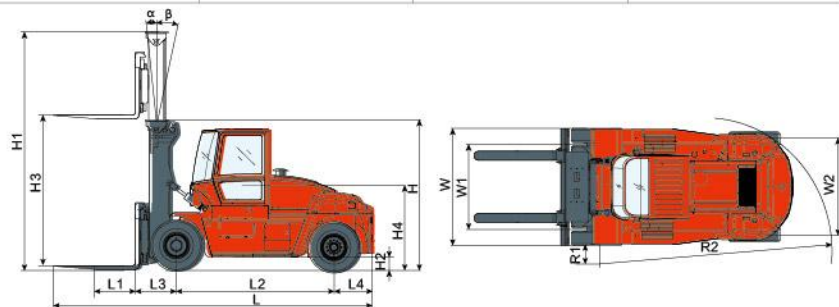
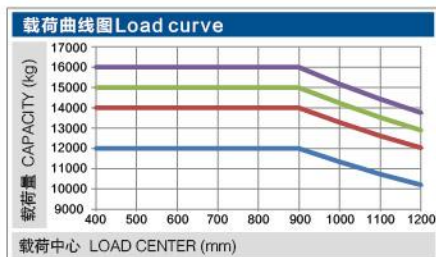
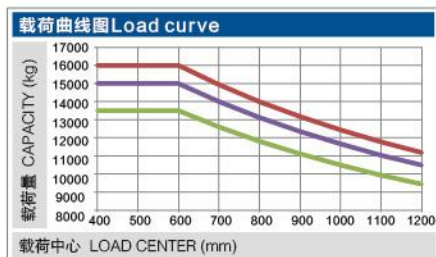
- > 稳定性更好 Better reliability
- > OPS(操作者存在感应系统) (选配) OPS (optional)
- > 湿式驱动桥 Wet type drive axle
- > 高效作业 high efficient working

CPCD 120-160

G系列12-16吨内燃平衡重式叉车

G series Internal Combustion Counterbalanced Forklift Truck

型号 Model		CPCD120-CZ-09III	CPCD135-CZ-06III	CPCD150-CZ-06III	CPCD160-CZ-06III	CPCD140-CZ-09III	CPCD150-CZ-09III	CPCD160-CZ-09III
性能参数 Technical parameters								
额定载荷 Rated load	t	12	13.5	15	16	14	15	16
整车质量 The mass	kg	17800	17800	18400	18800	20500	21000	21500
最大起升速度 (满载/空载) Maximum lifting speed (loaded/unloaded)	mm/s	360/400	360/400	350/400	350/400	370/415	370/415	370/415
最大行驶速度 (满载/空载) Maximum speed (loaded/unloaded)	km/h	25/27	25/27	26/28	26/28	26.2/27.3	26.2/27.3	26.2/27.3
爬坡能力 (满载/空载) Gradeability (loaded/unloaded)	%	36.4%/40%	36.4%/40%	36.4%/40%	36.4%/40%	36.4%/40%	36.4%/40%	36.4%/40%
驾驶室噪音 Noise in the cab	dB(A)	≤73.8	≤73.8	≤73.8	≤73.8	≤73.8	≤73.8	≤73.8
尺寸参数 Size parameters								
总长L Overall length	mm	6705	6255	6265	6265	7105	7105	7105
总宽W Overall width	mm	2560	2560	2560	2560	2560	2560	2560
总高H Overall height	mm	3365	3365	3380	3380	3340	3340	3340
载荷中心距L1 Load center distance	mm	900	600	600	600	900	900	900
轴距L2 Wheelbase	mm	3250	3250	3250	3250	3500	3500	3500
前悬距L3 Front overhang	mm	785	785	795	795	935	935	935
后悬距L4 Rear overhang	mm	850	850	850	850	850	850	850
最小离地间隙H2 Minimum underground clearance	mm	260	260	250	250	275	275	275
座椅高度H4 Seat height	mm	1970	1970	1985	1985	1985	1985	1985
内转弯半径R1 Turning radius (inside)	mm	220	220	220	220	220	220	220
外转弯半径R2 Turning radius (outside)	mm	4450	4450	4500	4500	4750	4750	4750
前轮距W1 Front track	mm	1888	1888	1888	1888	1895	1895	1895
后轮距W2 Rear track	mm	2120	2120	2120	2120	2120	2120	2120
门架高度 (收缩H/伸出H1) Mast height (retracted/extended)	mm	3365/4865	3365/4865	3380/4880	3380/4880	3340/4840	3340/4840	3340/4840
门架起升距离H3 Mast lifting height	mm	3000	3000	3000	3000	3000	3000	3000
门架倾角 (前倾α/后倾β) Mast tilting angle (forward/backward)	deg	6/12	6/12	6/12	6/12	6/12	6/12	6/12
货叉尺寸 (长×宽×厚) Fork dimension (length×width×thickness)	mm	1820×200×85	1370×200×85	1370×200×85	1370×200×85	1820×200×95	1820×200×95	1820×200×95
货叉调节范围 Fork adjusting range	mm	500-2370	500-2370	500-2370	500-2370	610-2150	610-2150	610-2150



HELI 安徽合力股份有限公司
ANHUI HELI CO., LTD.

中国合力 提升未来
地址: 合肥市经开区方兴大道668号
ADD: NO.668 Fangxing Street, Economical Development Zone, Hefei, P.R.China
电话 TEL: (0086) 551-63689111, 63689365

传真 FAX: (0086) 551-63689365
邮箱 E-MAIL: Sale-HVE@helichina.com
网址 WEBSITE: <http://www.helichina.com>
全国免费服务热线: 4001600761

* 本公司保留更改产品设计和规格的权利, 恕不另行通知。
* Details of specifications and equipment are based on information available at time of printing and may change without notice.